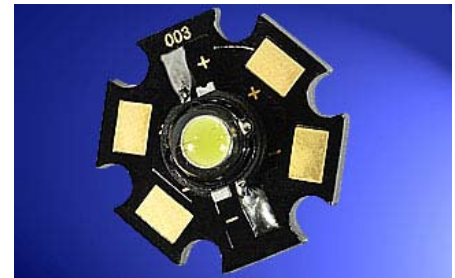


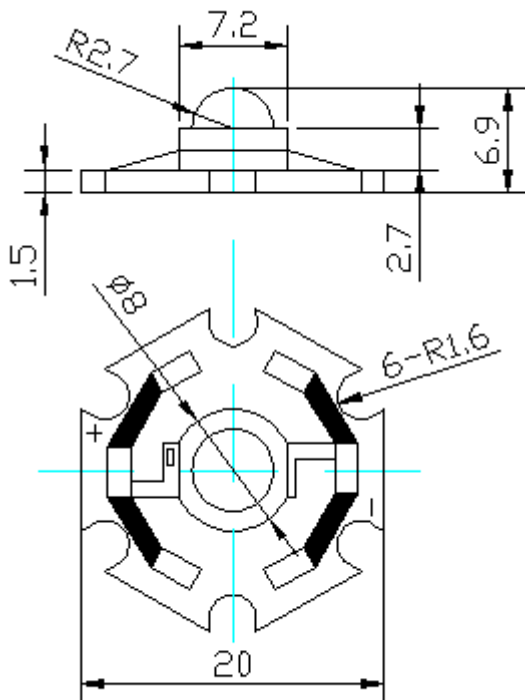
ARPL-Star-1W UV

Applications

- the products high reliability
- low energy consumption
- used to purpose lamp
- flash light
- traveling light
- emergency light
- mine light
- alarm light and every kind floodlight



Package Dimensions



Absolute Maximum Ratings at TA=25°C

Parameter	Symbol	Min.	Typ.	Max.	Unit
Forward Current	IF	--	350	400	mA
Forward Voltage	VF	--	3.2	3.6	V
Half angle	2 θ1/2	80	100	120	deg
Luminous FLUX	Flux	6-8Flux			lm
Color Temperature	TC	400	405	410	K
Color Rendering Index	CRI	80≤CRI			--
Operation Temperature	TOPR	-25	--	70	°C
Storage Temperature	TSTG	-40	--	85	°C

Notes:

- 1) It is better to use LED lamps at constant current .Be sure to control the forward current below rated current, and the forward voltage is about $V_f = w/I$ f. It is not allowed to use constant voltage directly.
- 2) It is necessary to have proper heat sink to keep the temperature of the circuit board under 50°C when Using at room temperature of 25°C.